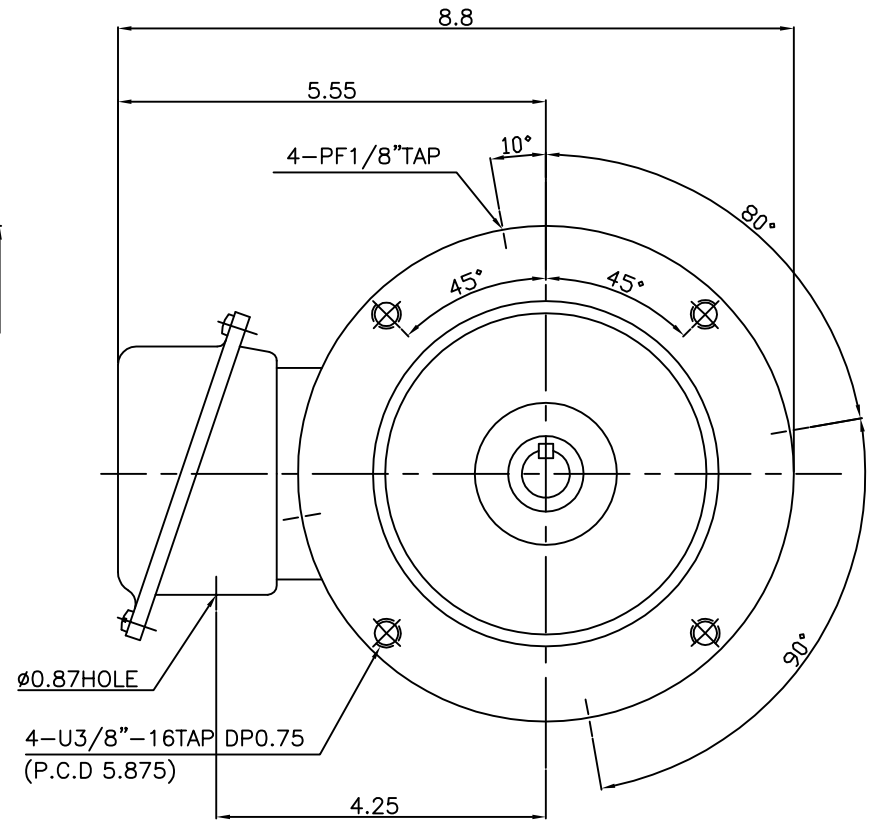


SECTION A-A



SBY054MCA
SBY072MCA

STERLING ELECTRIC, INC. 3-PHASE STAINLESS INDIANAPOLIS, IN STEEL MOTOR	DESIGNED		DIMENSIONS IN INCHES
	CHECKED		3RD ANGLE PROJECTION
	APPROVED		DWG. NO: SBY054~SB0072MCA